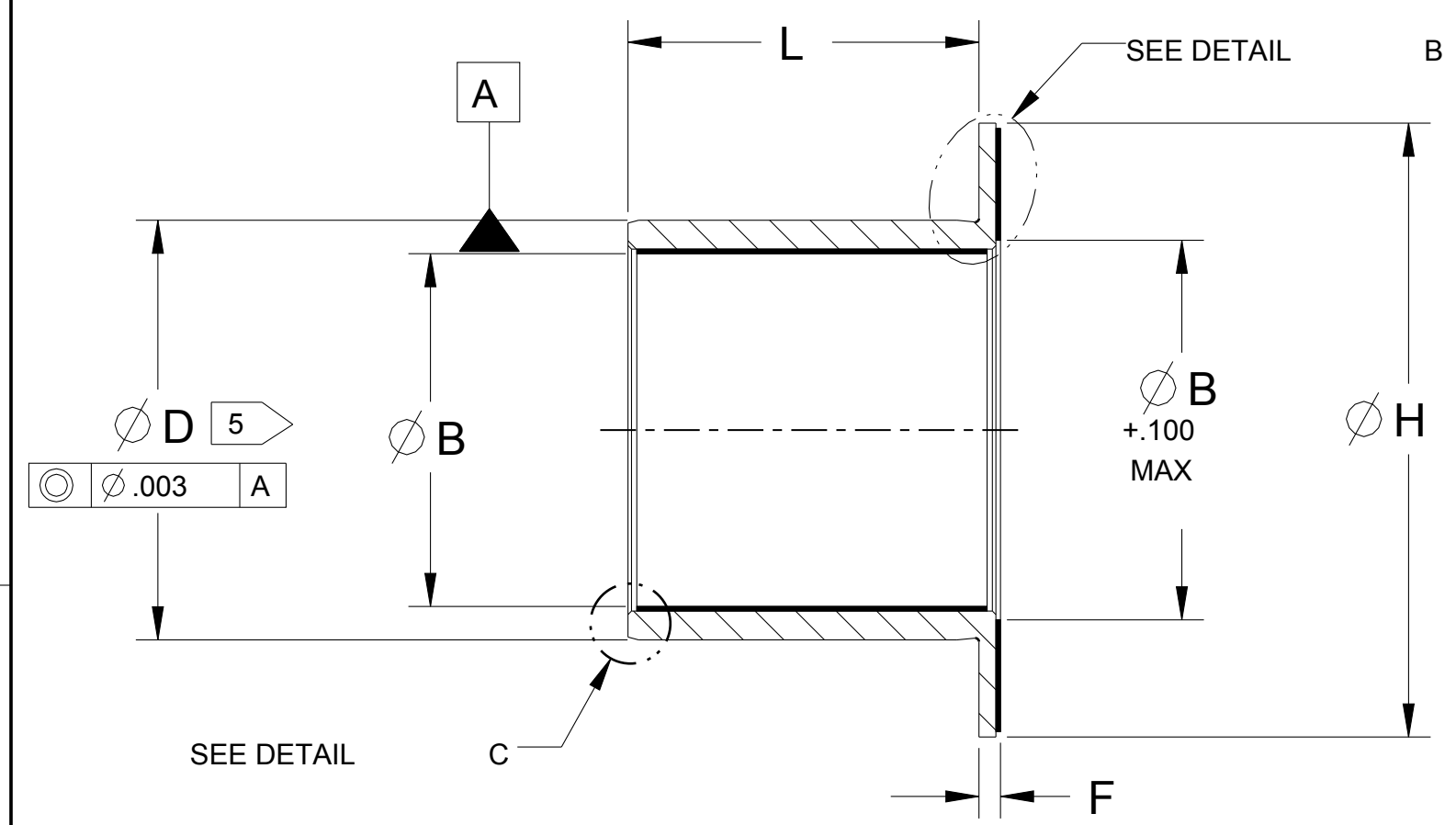
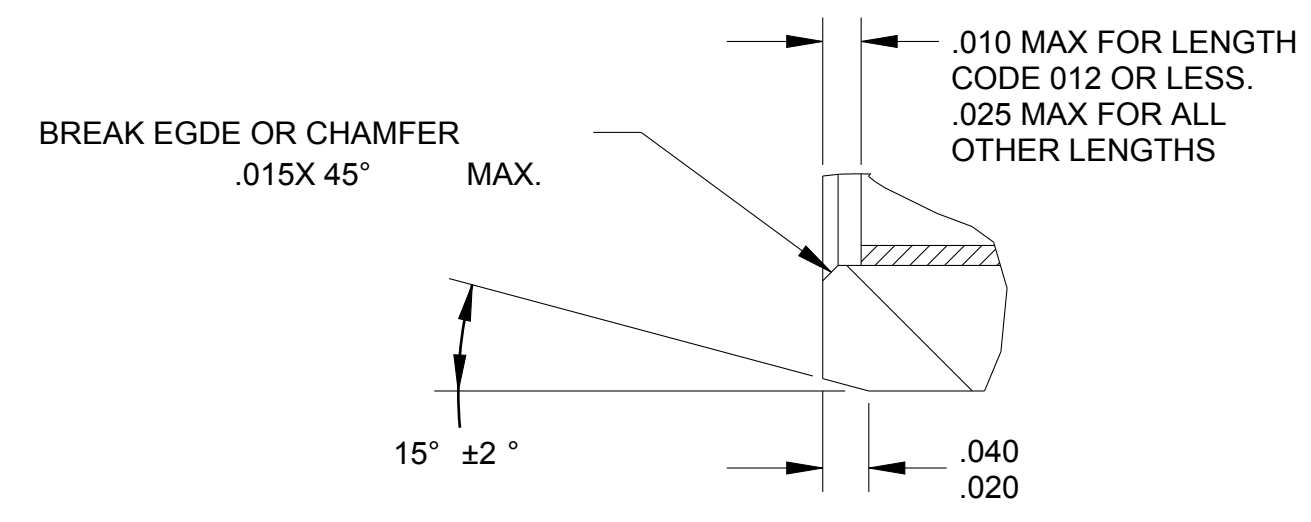


REVISION			
LTR	E/O. NO.	DATE	APPD
-	PROD. RELEASE	09-13-10	

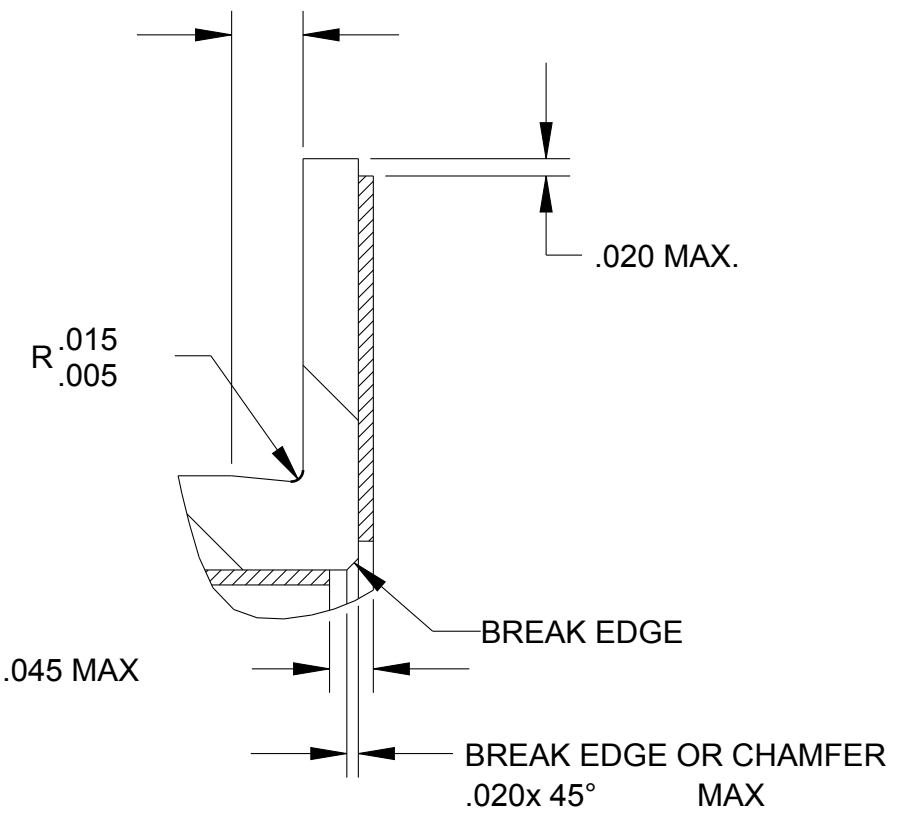


SECTION A-A

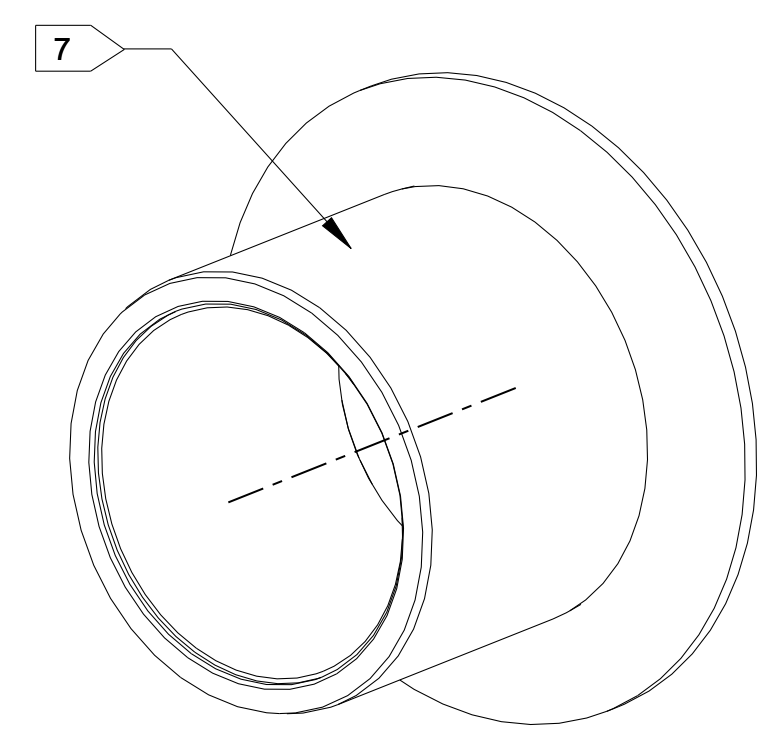


DETAIL C
SCALE 8/1

UNDERCUT .005 DEEP
X .062 MAX LONG }



DETAIL B
SCALE 6/1



3D VIEW
ENGR. REFERENCE
SCALE: NONE

7 MARKING: FOR DASH NO. 08 OR LARGER ELCTRO-ETCH WITH GODFREY (GUANGZHOU) BEARINGS AND M81934/2 PART NUMBER AT LOCATION SHOWN.

6 FINISH CODE:
"P" INDICATES CORROSION RESISTANT STEEL SHALL BE CADMIUM PLATED PER AMS-QQ-P-416, TYPE II, CLASS 2.
"E" INDICATES CORROSION RESISTANT STEEL SHALL BE ZINC-NICKEL PLATED PER AMS 2417, TYPE 2 WITH A THICKNESS RANGE OF .0003-.0008 IN.
ABSENCE OF LETTER "P" OR "E", PASSIVATE STAINLESS STEEL PER AMS-QQ-P-35.
ALUMINUM SLEEVE BEARING SHALL BE ANODIZE PER MIL-A-8625, TYPE I OR II, OR CHEMICAL FILM TREATMENT PER MIL-C-5541.
DIMENSION APPLY AFTER PLATING.

5 ϕD TOLERANCES:
STAINLESS STEEL: = +.0000/-.0005
ALUMINUM: = \pm .0005

4 MATERIAL CODE:
STAINLESS STEEL: 17-4PH CRES PER AMS 5643. HEAT TREAT TO COND. H1150 AMS-H-6875.
ALUMINUM: ALUMINUM ALLOY PER SAE-AMS-QQ-A-225/6 (2024T851) OR SAE-AMS-QQ-A-200/3 (2024T8511)

3 APPLY LINER ON INDICATED SURFACE. DIMENSIONS APPLY AFTER THE APPLICATION OF LINER.

2 LINER IS QUALIFIED TO SAE AS81934.

1 DIMENSIONING AND TOLERANCING PER ASME Y14.5M-1994.

NOTES: UNLESS OTHERWISE SPECIFIED

CUST. PART NO.	PART NO.	DESCRIPTION	MATERIAL	HEAT TREAT	PROCESS	PT.MK.	QTY.
	2 XXXXX	FABRIC LINER					TAG -
	XXXXXX1	BUSHING					TAG 1
SEE TAB	SEE TAB	BUSHING ASSY					6 7 -

APPLICATION	A/C	SERIES OR ENGINE	QTY. S/S	MACHINED SURFACE FINISHES	AS81934/2
THIS DOCUMENT REMAINS THE PROPERTY OF GODFREY (GUANGZHOU) BEARINGS, AND IS PROVIDED TO THE RECIPIENT ON THE EXPRESS CONDITION THAT IT, OR ANY INFORMATION CONTAINED IN IT, IS NOT TO BE DISCLOSED OR REPRODUCED IN WHOLE OR IN PART, OR USED FOR MANUFACTURE BY THE RECIPIENT WITHOUT A WRITTEN CONSENT OR PURCHASE ORDER FROM GODFREY (GUANGZHOU) BEARINGS.				UNLESS OTHERWISE SPECIFIED DIMENSIONS ARE IN INCHES .XX = \pm .030 .XXX = \pm .010 ANGLES = \pm 1/2 °	DRAWN NICHOLAS NGUYEN CHK DATE ENGRG DATE MFG ENGRG DATE CONFIG. CNTL DATE IN LIEU OF
BREAK ALL SHARP EDGES .005 TO .015 MACHINE FILLETS .05 TO .030 R.				DATE 09-13-10 DATE DATE DATE	GODFREY (GUANGZHOU) BEARINGS BEARING, SLEEVE, FLANGED SELF-LUBRICATING -65° F TO +325° F
MATERIAL CODE: 17-4PH CRES PER AMS 5643. HEAT TREAT TO COND. H1150 AMS-H-6875.				SIZE C	CAGE NO. XXXXX DWG. NO. M81934/2 REV. -
SAE-AMS-QQ-A-225/6 (2024T851) OR SAE-AMS-QQ-A-200/3 (2024T8511)				SCALE: 2/16	NETEDF 1 3

4

3

2

1

REVISION		
LTR E/O. NO.	DATE	APPD
- SEE SH 1	09-13-10	

TABLE 1

GODFREY (GUANGZHOU) BEARINGS PART NUMBER	AS81934/2 PART NUMBER	Ø B +.0000 -.0010	Ø D 5	F +.000 -.005	Ø H +.000 -.020	LENGTH +.000/-0.10																															
						.156	.187	.218	.250	.281	.312	.343	.375	.437	.500	.562	.625	.687	.750	.875	1.000	1.125	1.250	1.375	1.500	1.625	1.750	1.875	2.000	2.125	2.250	2.375	2.500	2.750	3.000		
XXXXXXX	M81934/2-04XXXX	.2515	.3760	.0625	.750	005	006	007	008	009	010	011	012	014																							
XXXXXXX	M81934/2-05XXXX	.3140	.4386		.812	005	006	007	008	009	010	011	012	014	016	018																					
XXXXXXX	M81934/2-06XXXX	.3765	.5012		.875	005	006	007	008	009	010	011	012	014	016	018	020	022																			
XXXXXXX	M81934/2-07XXXX	.4390	.5638		.937	005	006	007	008	009	010	011	012	014	016	018	020	022	024	028																	
XXXXXXX	M81934/2-08XXXX	.5015	.6265		1.000	005	006	007	008	009	010	011	012	014	016	018	020	022	024	028																	
XXXXXXX	M81934/2-09XXXX	.5640	.6892		1.125	005	006	007	008	009	010	011	012	014	016	018	020	022	024	028	032	036															
XXXXXXX	M81934/2-10XXXX	.6265	.8142		1.250	005	006	007	008	009	010	011	012	014	016	018	020	022	024	028	032	036	040	044													
XXXXXXX	M81934/2-11XXXX	.6890	.8767		1.375				008	009	010	011	012	014	016	018	020	022	024	028	032	036	040	044	048	052											
XXXXXXX	M81934/2-12XXXX	.7515	.9393		1.500				008	009	010	011	012	014	016	018	020	022	024	028	032	036	040	044	048	052											
XXXXXXX	M81934/2-14XXXX	.8765	1.0645		1.625				008	009	010	011	012	014	016	018	020	022	024	028	032	036	040	044	048	052											
XXXXXXX	M81934/2-16XXXX	1.0015	1.1898		1.750				008	009	010	011	012	014	016	018	020	022	024	028	032	036	040	044	048	052	056	060									
XXXXXXX	M81934/2-18XXXX	1.1265	1.3148		1.875						010	011	012	014	016	018	020	022	024	028	032	036	040	044	048	052	056	060									
XXXXXXX	M81934/2-20XXXX	1.2515	1.4398	2.000								012	014	016	018	020	022	024	028	032	036	040	044	048	052	056	060	064	068								
XXXXXXX	M81934/2-22XXXX	1.3765	1.5648	1.125								012	014	016	018	020	022	024	028	032	036	040	044	048	052	056	060	064	068								
XXXXXXX	M81934/2-24XXXX	1.5015	1.7523	2.250								012	014	016	018	020	022	024	028	032	036	040	044	048	052	056	060	064	068	072	076	080	088				
XXXXXXX	M81934/2-26XXXX	1.6265	1.8773	2.375										016	018	020	022	024	028	032	036	040	044	048	052	056	060	064	068	072	076	080	088	096			
XXXXXXX	M81934/2-28XXXX	1.7515	2.0023	2.500										016	018	020	022	024	028	032	036	040	044	048	052	056	060	064	068	072	076	080	088	096			
XXXXXXX	M81934/2-32XXXX	2.0015	2.2523	2.750										016	018	020	022	024	028	032	036	040	044	048	052	056	060	064	068	072	076	080	088	096			

CODE (T)				CODE (T) CONT			
GODFREY (GUANGZHOU) BEARINGS PART NUMBER	AS81934/2 PART NUMBER	Ø B +.0000 -.0010	Ø D (.010) 5 1st OVERSIZE	GODFREY (GUANGZHOU) BEARINGS PART NUMBER	AS81934/2 PART NUMBER	Ø B +.0000 -.0010	Ø D .010 5 1st OVERSIZE
XXXXXXX	M81934/2-04XXXXT	.2515	.3860	XXXXXXX	M81934/2-14XXXXT	.8765	1.0745
XXXXXXX	M81934/2-05XXXXT	.3140	.4486	XXXXXXX	M81934/2-16XXXXT	1.0015	1.1998
XXXXXXX	M81934/2-06XXXXT	.3765	.5112	XXXXXXX	M81934/2-18XXXXT	1.1265	1.3248
XXXXXXX	M81934/2-07XXXXT	.4390	.5738	XXXXXXX	M81934/2-20XXXXT	1.2515	1.4498
XXXXXXX	M81934/2-08XXXXT	.5015	.6365	XXXXXXX	M81934/2-22XXXXT	1.3765	1.5748
XXXXXXX	M81934/2-09XXXXT	.5640	.6992	XXXXXXX	M81934/2-24XXXXT	1.5015	1.7623
XXXXXXX	M81934/2-10XXXXT	.6265	.8242	XXXXXXX	M81934/2-26XXXXT	1.6265	1.8873
XXXXXXX	M81934/2-11XXXXT	.6890	.8867	XXXXXXX	M81934/2-28XXXXT	1.7515	2.0123
XXXXXXX	M81934/2-12XXXXT	.7515	.9493	XXXXXXX	M81934/2-32XXXXT	2.0015	2.2623

GODFREY (GUANGZHOU) BEARINGS

SIZE	CAGE NO.	DWG. NO.	REV.
C	XXXX	M81934/2	-
SCALE: 2/16 UNFINISHED 2 3			

REVISION		
LTR	NO.	DATE
-	SEE SH 1	09-13-10

CODE (U)				CODE (U) CON'T			
GODFREY (GUANGZHOU) BEARINGS PART NUMBER	AS81934/2 PART NUMBER	ϕ B +.0000 -.0010	ϕ D .020 2ND OVERSIZE	GODFREY (GUANGZHOU) BEARINGS PART NUMBER	AS81934/2 PART NUMBER	ϕ B +.0000 -.0010	ϕ D .020 2ND OVERSIZE
XXXXXXX	M81934/2-04XXXXU	.2515	.3960	XXXXXXX	M81934/2-14XXXXU	.8765	1.0845
XXXXXXX	M81934/2-05XXXXU	.3140	.4586	XXXXXXX	M81934/2-16XXXXU	1.0015	1.2098
XXXXXXX	M81934/2-06XXXXU	.3765	.5212	XXXXXXX	M81934/2-18XXXXU	1.1265	1.3348
XXXXXXX	M81934/2-07XXXXU	.4390	.5838	XXXXXXX	M81934/2-20XXXXU	1.2515	1.4598
XXXXXXX	M81934/2-08XXXXU	.5015	.6465	XXXXXXX	M81934/2-22XXXXU	1.3765	1.5848
XXXXXXX	M81934/2-09XXXXU	.5640	.7092	XXXXXXX	M81934/2-24XXXXU	1.5015	1.7723
XXXXXXX	M81934/2-10XXXXU	.6265	.8342	XXXXXXX	M81934/2-26XXXXU	1.6265	1.8973
XXXXXXX	M81934/2-11XXXXU	.6890	.8967	XXXXXXX	M81934/2-28XXXXU	1.7515	2.0223
XXXXXXX	M81934/2-12XXXXU	.7515	.9593	XXXXXXX	M81934/2-32XXXXU	2.0015	2.2723

EXAMPLE OF GODFREY (GUANGZHOU) BEARINGS AND AEROSPACE STANDARD PART NUMBER CALL OUT

XXXXX 08 C 012 E T
M81934/2 -08 C 012 E T

BASIC PART NUMBER

BORE SIZE DIAMETER IN ACCORDANCE WITH TABLE 1

MATERIAL CODE:

" " CORROSION RESISTANT STEEL 17-4PH CRES PER AMS 5643.
" " ALUMINUM ALLOY PER SAE-AMS-QQ-A-225/6 (2024T851) OR
SAE-AMS-QQ-A-200/3 (2024T8511)

BUSHING LENGTH IS IN 1/32 OF AN INCH INCREMENTS (SEE TABLE 1)

ABSENCE OF LETTER "E" INDICATES NO PLATING, PASSIVATE IS REQUIRED FOR ALL NON-PLATED CORROSION RESISTANT STEEL PER AMS-QQ-P-35.
LETTER "E" INDICATES ZINC-NICKEL PLATING PER AMS 2417, TYPE 2 (FOR CORROSION RESISTANT STEEL ONLY).
LETTER "P" INDICATES CADMIUM PLATING PER AMS-QQ-P-416, TYPE II, CLASS 2 (FOR CORROSION RESISTANT STEEL ONLY).
ALUMINUM BUSHING SHALL BE ANODIZE PER MIL-A-8625, TYPE I OR II; OR CHEMICAL FILM TREATMENT PER MIL-C-5541.}

ABSENCE OF LETTER "T" AND "U" INDICATES STANDARD BUSHING O.D. (ϕ D)
"T"= .010 INCH INDICATES OVERSIZE ϕ D
"U"= .020 INCH INDICATES OVERSIZE ϕ D

GODFREY (GUANGZHOU) BEARINGS			
SIZE	CAGE NO.	DWG.NO.	REV.
C	XXXXX	M81934/2	-
SCALE: 2/16 UNFINISHED 3 3			